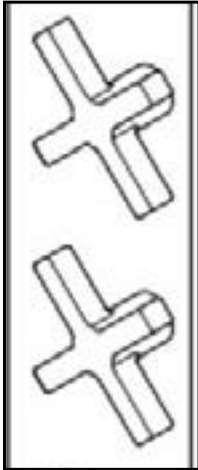


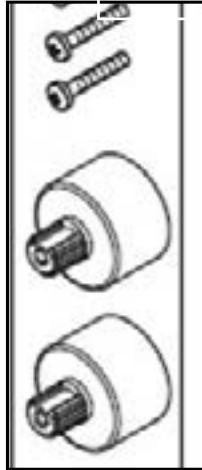
Product Code: CAS SHCVO C

Revision: D3

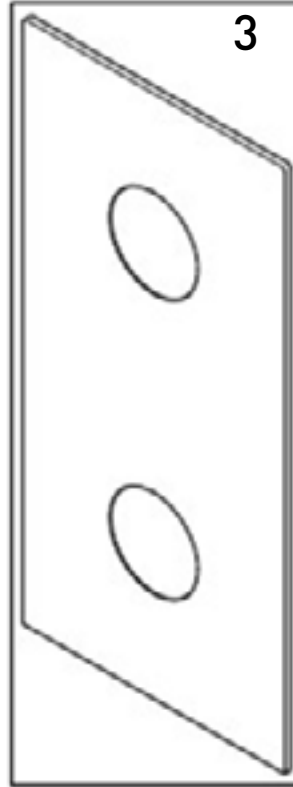
1



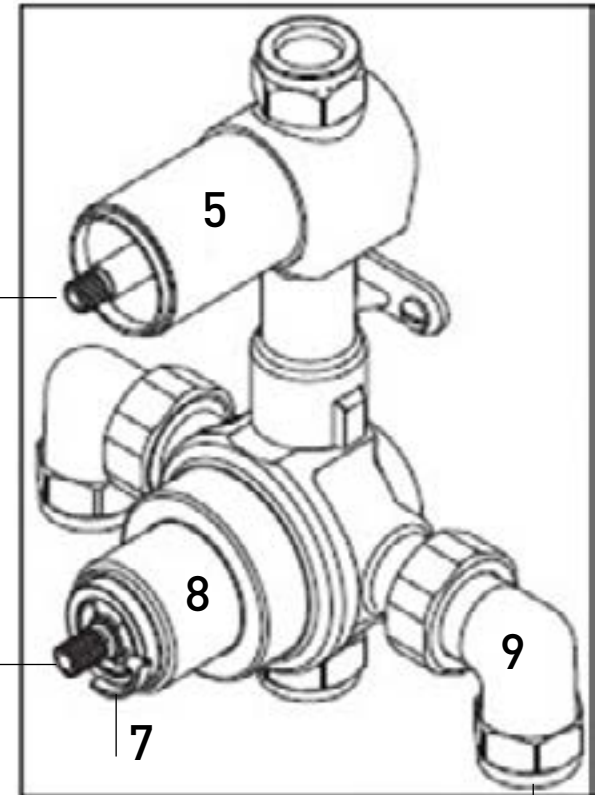
2



3



4



5

8

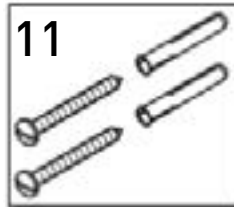
9

7

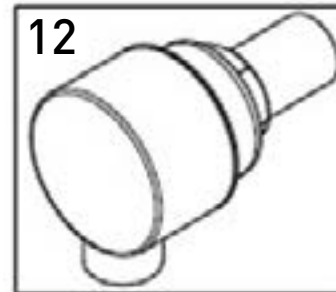
10

1	Handle Assembly
2	Handle Adaptor
3	Concealing Plate
4	3/4" Ceramic Disc Valve
5	Flow Shroud
6	35mm Thermostatic Cartridge
7	Temperature Stop
8	Temperature Shroud
9	Mini Valve Elbows
10	1/2" Check Valve
11	Screw Pack
12	Wall Outlet
13	Flow Regulator

11



12



13

